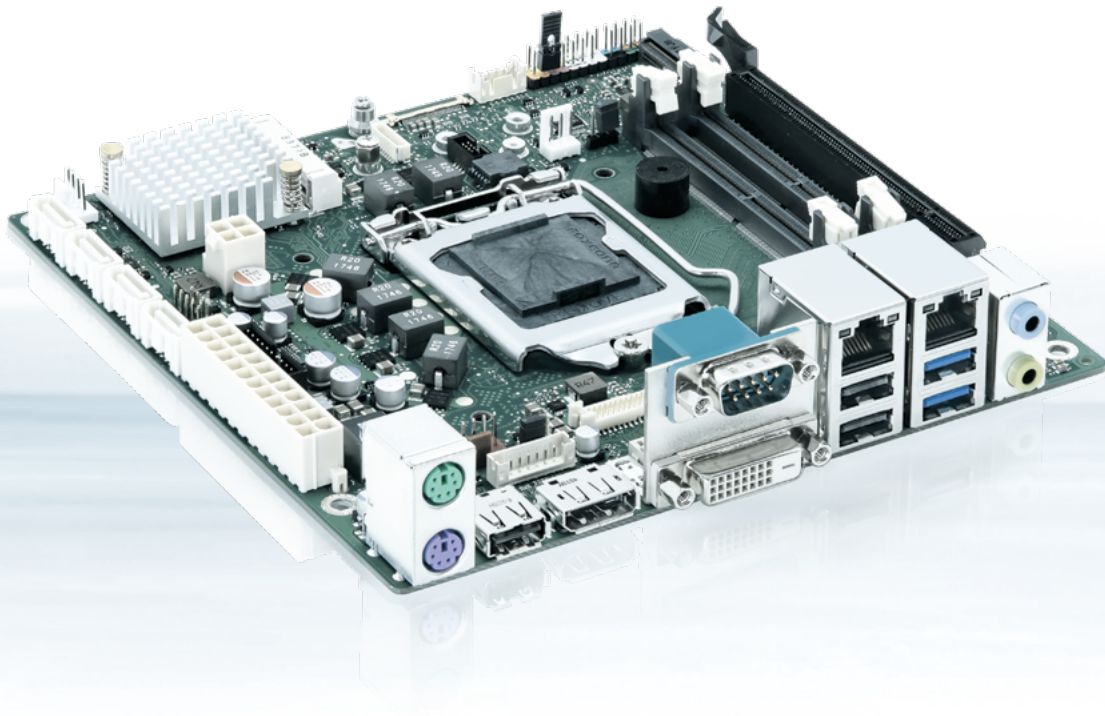


# D3634-S mITX

## Industrial Series

---



### Intel® H310 Express Chipset and Intel® 8th/9th Gen Core™ i3/i5/i7/i9 Processors

- ▶ cTDP – Easy & flexible reduction of CPU TDP
- ▶ Cost-effective iH310 Industrial Platform
- ▶ Dual channel LVDS & eDP
- ▶ M.2 SSD & Mini-PCIe Socket
- ▶ ATX PSU or Single 12 V Supply

POSSIBILITIES START HERE



# D3634-S mITX

## Industrial Series

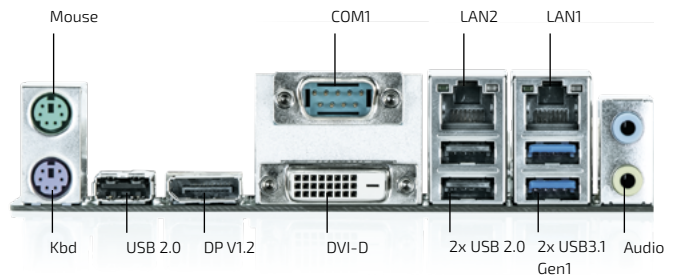
The Motherboard D3634-S mITX is an extraordinary smart solution for industrial needs. It is equipped with the cost-optimized Intel® H310 Express Chipset. This motherboard "Designed by Fujitsu" supports the Intel® Core™ i9/i7/i5/i3 (8th/9th Gen) and

the Intel® Pentium® / Intel® Celeron® processor series up to 95 W TDP. It also features 2x LAN and eDP and is designed and approved for enhanced operating temperature range up to 60 °C and for 24/7 continuous operation.

### ▶ PRODUCT HIGHLIGHTS

- ▶ Intel® 8th/9th Gen Core™ Processor Series
- ▶ DDR4-2666 SDRAM, max. 64 GByte
- ▶ cTDP – Easy & flexible reduction of CPU TDP
- ▶ PCI Express® x16 (Gen.3)
- ▶ 2x Intel® GbE LAN (incl. Teaming)
- ▶ Intel® UHD Graphics (DX12)
- ▶ 1x DVI-D, 1x DP V1.2, eDP V1.4 and Dual Channel LVDS
- ▶ Intel® High Definition 5.1 Audio; Intel® integrated TPM V2.0
- ▶ 8 Bit GPIO; 2 x COM port (incl. RS-422/RS-485 support)
- ▶ 5x USB 2.0, 4x USB 3.1 Gen1
- ▶ 4x SATA-III & M.2  
(PCIe-based SSD modules 2242, 2260, or 2280)

- ▶ Mini-PCIe socket (halfsize/fullsize support)
- ▶ Dual Power Supply (ATX compliant or single 12V DC)
- ▶ BIOS-POST/-Boot & OS – HW Watchdog onboard



### ▶ TECHNICAL INFORMATION

<b>SYSTEM</b>	<b>PROCESSOR</b>	Intel® Core™ i9 / i7 / i5 / i3 (8th/9th Gen) processor series Intel® Pentium®/Intel® Celeron® processor series Socket LGA1151, max. 95 W TDP
	<b>CHIPSET</b>	Intel® H310 Chipset
	<b>MEMORY</b>	DDR4-2666, Dual Channel 2 SO DIMM sockets, up to 64 GByte memory
<b>VIDEO</b>	<b>GRAPHICS</b>	Intel® UHD Graphics, DX12
<b>AUDIO</b>	<b>AUDIO CODEC</b>	Realtek ALC671
	<b>AUDIO INTERFACE</b>	5.1-channel, High Definition Audio Codec
<b>NETWORK CONNECTION</b>	<b>ETHERNET</b>	Intel® i219LM & i210AT with 10/100/1000 MBit/s, Wake-on-LAN (WoL) by interesting Packets, Link Status Change and Magic Packet™, PXE Support, BIOS MAC Address Display, Teaming Support
<b>PERIPHERAL CONNECTION</b>	<b>USB</b>	3x USB 2.0, 2x USB 2.0 (by header), 2x USB 3.1 Gen1, 2x USB 3.1 Gen1 (by header)
	<b>SERIAL PORT</b>	1x RS232, 1x RS232/422/485 (by header)
	<b>OTHER I/Os</b>	GPIO (by header)
<b>STORAGE &amp; EXPANSION</b>	<b>SATA</b>	4x Serial ATA III 600 Interface (up to 6GBit/s), NCQ, AHCI,
	<b>PCIe/PCI SLOTS</b>	1x M.2 PCIe (2242/2260/2280), 1x Mini PCIe (halfsize/fullsize) PCIe x16: 1x Gen3
<b>POWER</b>	<b>CONNECTOR</b>	ATX Power Supply
	<b>INPUT VOLTAGE</b>	ATX (Multirail) or Single 12 V
<b>FIRMWARE</b>	<b>BIOS</b>	AMI Aptio 5.x (UEFI) BIOS modified and adapted by Fujitsu Technology Solutions; Recovery BIOS, SM-BIOS (DMI), BIOS and CPU Microcode Update, Quick Boot, Logo Boot, Quiet Boot, Plug & Play, Automatic DRAM and PCIe Configuration, BIOS Support for S.M.A.R.T., Advanced Power Management, ACPI S3/S4, Wake on time from S5, HW Watchdog support & BIOS integrated HW Diagnostic Tool. No legacy OS support, no MBR installation (UEFI only due to Intel restrictions) 3-level Watchdog (BIOS/BIOS Post/OS HW)
	<b>WATCHDOG</b>	Integrated
	<b>REAL TIME CLOCK</b>	Intel® integrated TPM V2.0
	<b>TPM</b>	

## ▶ TECHNICAL INFORMATION

<b>SYSTEM CONTROL</b>	<b>FP HEADER</b>	1x Header for Reset button, HDD LED & Internal Speaker, Power button, Power LED Recovery BIOS, System and BIOS Password, Boot Sequence Control, Serial-/USB-Port Access Protection, Write Protection for Flash BIOS, EraseDisk (BIOS Feature), Intel integrated TPM V2.0
	<b>SECURITY</b>	
<b>COOLING</b>	<b>FAN</b>	2x PWM fan (CPU/System)
<b>SOFTWARE</b>	<b>OS SUPPORT</b>	MS Windows 10 Linux-64
<b>MECHANICAL</b>	<b>DIMENSIONS (L x W)</b>	Mini-ITX: 6.7" x 6.7" (170 x 170 mm)
<b>CERTIFICATION</b>	<b>EMC &amp; SAFETY</b>	FCC-B verified cTÜVus acc. IEC62368-1, CE Class B

## ▶ POWER SUPPLY REQUIREMENTS

SOURCE*	VOLTAGE	MIN. PS LOAD	MAX. VOLTAGE TOLERANCE	MOTHERBOARD CAPACITIVE LOAD	MOTHERBOARD MAX. CURRENT
Main Power Supply (Multi Rail)	+ 12 V	0.05 A	± 5 %	1.300 µF	10 A / 18 A**
	- 12 V	0 A		-	Not used
	+ 5 V	0.2 A	± 5 %	900 µF	4.5 A
	+ 3.3 V	0 A	± 5 %	350 µF	0.5 A
	+ 5 Vaux	0 A	+ 5 % / - 3 %	330 µF	2.5 A
Single 12 V DC	+ 12 V	0 A	± 5 %	1.300 µF	11 A / 19 A***

\*) ATX PSU (multi rail) or single 12 V DC Supply

\*\*\*) Processor 95 W TDP: Max. Cont. Current = 10 A; max. Surge Current = 16 A (< 100 sec) / 18 A (< 10 ms)  
Processor 65 W TDP: Max. Cont. Current = 7 A; max. Surge Current = 14 A (< 100 sec) / 18 A (< 10 ms)  
Processor 35 W TDP: Max. Cont. Current = 4 A; max. Surge Current = 10 A (< 100 sec) / 14 A (< 10 ms)

\*\*\*\*) Max. load for single 12 V DC supply: approx. +1 A compared to multi rail supply

## TECHNICAL INFORMATION

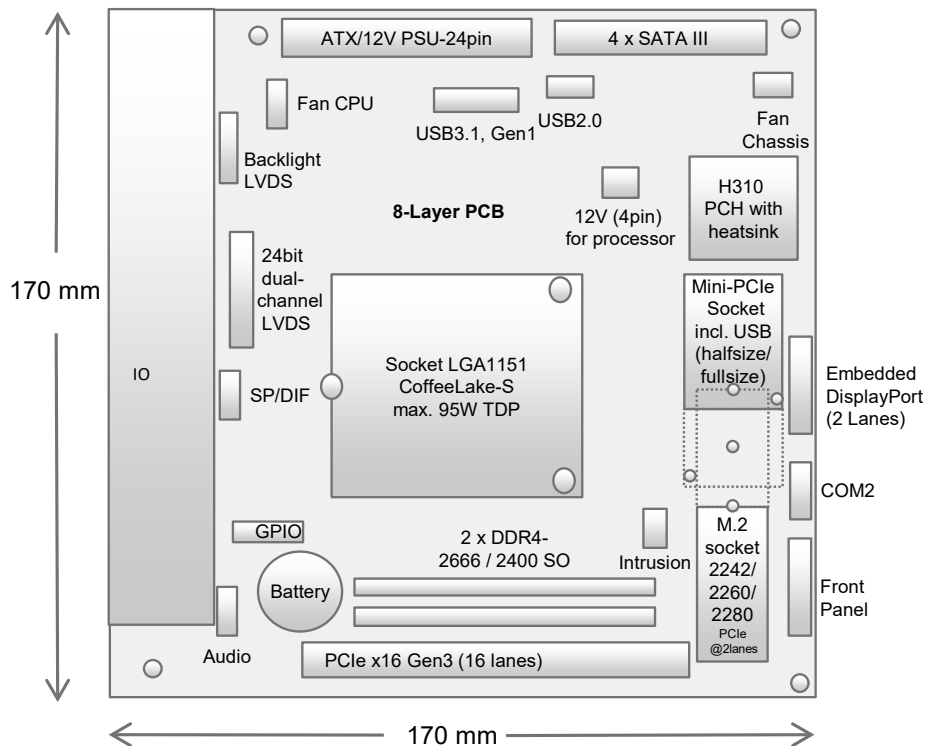
<b>FEATURES</b>	Chipset Board Size VGA / DVI-I / DVI-D / DP V1.2 / 2nd DP V1.2 / LVDS / eDP Buzzer / int. Speaker Support / 5.1 Multichannel Audio Dual LAN Gbit / 100 Mbit / 10 Mbit / WoL / LAN Boot / Teaming iAMT 12.0 vPro / Intel Standard Manageability / DASH V1.1 SATA / SATA-RAID / eSATA-Support / mSATA / M.2 SSD (PCIe) USB 2.0 / USB 3.1 (gen1) / USB 3.1 (gen2) FAN monitored & controlled PSU / CPU / AUX1 / AUX2 TEMP monitored CPU / onboard sensors / external sensor	iH310 Mini-ITX - / - / + / + / - / + / + + / + / + + / + / + / + / + / + - / - / - + / - / + / - / + + / + / - - / + / + / - + / + / -
<b>SPECIAL FEATURES</b>	Silent Fan / System Guard / cTDP Recovery BIOS / Desk Update / Multi Boot HDD Password / EraseDisk / TPM V2.0 BIOS POST- / BIOS Boot- / OS HW Watchdog Logo Boot Option High Efficiency Core Voltage Regulator Design Operating Mode 24-7 / 8-5 (hrs per day - days per week) Motherboard operating temperature range (chassis inside)*	+ / + / + + / + / + + / + / + + / + / + + + + / - 0 °C – 60 °C
<b>INTERNAL CONNECTORS</b>	SO DIMM Sockets (DDR4 2666) PCI Express x16 (Gen2) / Support for lane split (8+8 or 8+4+4) mSATA / Mini PCI Express Slot (halfsize / fullsize, incl.USB 2.0) SATA-600 / M.2 SSD 2280 (supports 2280/2260/2242, Key-M, PCIe/NVME) S/PDIF (digital Audio) OUT / IN Frontpanel Audio (9-Pin, HD Audio) USB 2.0 / USB 3.1 (Gen1) / USB 3.1 (Gen2) / USB Stick Socket** Serial (COM2, RS-232 / RS-422 / RS-485) / Parallel Port Connector LVDS / LVDS Backlight (PWM controlled) / Embedded DisplayPort FAN PSU / CPU / AUX1 / AUX2 Intrusion (Case Open) / GPIO (8Bit) / SMBus (Case Temp.) Front Panel (Power Switch, Reset Switch, LEDs, Intel 10 pin compatible) ATX Power Supply (24 pin + 4 pin) / single 12 V PSU***	2 1 / - - / 1 4 / 1 1 / 0 1 1 / 1 / - / - 1 / - 1 / 1 / 1 0 / 1 / 1 / 0 1 / 1 / - 1 1 / 1
<b>EXTERNAL CONNECTORS</b>	VGA Sub D / DVI-I / DVI-D / DisplayPort V1.2 D3634-S Audio Mic. In / Line in / Line out (or driver configuration) LAN (RJ-45) PS/2 Mouse / Keyboard USB 2.0 / USB 3.1 Gen1 / USB 3.1 Gen2 Serial (COM1, RS232)	- / - / 1 / 1 - / 1 / 1 2 1 / 1 3 / 2 / - 1

\*) Forced cooling required, see technical documentation for detailed requirements

\*\*) Each internal USB connector (pin header) provides two USB ports (except for USB stick socket)

\*\*\*) Alternatives: Powered by ATX (multi rail) PSU or single 12 V DC

## CONNECTOR / SOCKET DIAGRAM



## ▶ ORDERING INFORMATION

ARTICLE	PART NO.	DESCRIPTION
D3634-S mITX	F5120-V167	Intel® 8th/9th Gen Core™ Processor Series, Intel® H310 Chipset
<b>ACCESSORIES</b>		
M.2 ADAPTER BOARD	F5000-M003	D3436-S = Adapter for Mini PCIe to M.2 Wi-Fi modules
SERIAL PORT CABLE	F5000-K010	Fullsize slot bracket
RISERCARD	F5000-R006	1x PCIe x4 (D3318-A)
CHASSIS KIT	F5000-J003	SMARTCASE™ S720

## ▶ Global Headquarters

### Kontron S&T AG

Lise-Meitner-Str. 3-5  
86156 Augsburg, Germany  
Tel.: + 49 821 4086 0  
Fax: + 49 821 4086 111  
info@kontron.com  
[www.kontron.com](http://www.kontron.com)