

IM Series

True Flat Industrial Touch Monitor

Preliminary



Features

- 21.5" / 23.8" / 27.0" 16:9 LCD panel with LED backlight with up to 40,000 service life
- 10-point PCAP touchscreen
- Anti-fingerprint surface treatment for ease of cleaning and enhanced readability
- Wide viewing angles support for both portrait and landscape modes
- IP rating for water and dust protection

Ordering Information

- IM-215
21.5" True Flat Industrial Touch Monitor
- IM-238
23.8" True Flat Industrial Touch Monitor
- IM-270
27" True Flat Industrial Touch Monitor

Optional Accessories

- Adapter
12V 60W power adapter

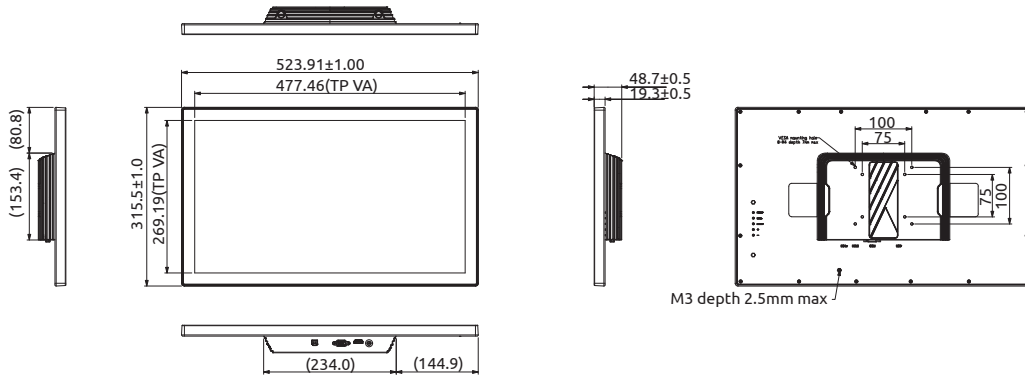
Specifications

Model	IM-215	IM-238	IM-270
Display			
Size	21.5"	23.8"	27"
Resolution	1920 x 1080		
Aspect Ratio	16:9		
Color	16.7M		
Brightness (w/ touch)	400 nits	200 nits	240 nits
Backlight Life (Hrs)	30,000		40,000
Viewing Angle (U/D/R/L)	89/89/89/89	85/85/85/85	
Contrast Ratio	1000:1	3000:1	
Touchscreen	10-point, PCAP, Anti-fingerprint coating		
Bonding	Air bonding		
I/O			
USB Port	USB type B(for touch)		
Video	HDMI x1, VGA x 1		
Audio	w/o Audio		
Environmental			
Operating Temperature	0°C to 60°C	0°C to 50°C	
Storage Temperature	-20°C to 60°C		
Humidity	10% to 80% @ 40°C (non-condensing)		
Surface Hardness	7H		
Vibration	Operating: 1G random 5 to 500Hz		
Shock	Operating: 20G acceleration part to part, 11ms		
IP Rating	Front IP65		
Certifications & Compliance	CE/FCC/BSMI		
Power Input	DC-12V 5A Max.		
Power Consumption	25.4 W	TBD	
Mechanical			
Net Weight/ Gross Wegith	5.0 kgs / 6.2 kgs	TBD	
Packing Dimensions (H x W x D)	640 x 480 x 160	695 x 488 x 175	775 x 538 x 180
Mounting	VESA Mount, MIS-D 75mm x 75mm, 100mm x 100mm (Standard)		

Dimensions

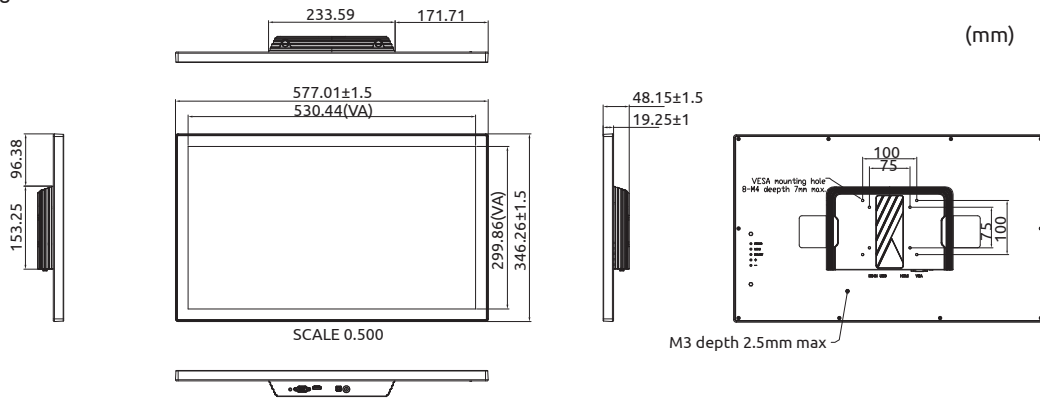
IM-215

(mm)



IM-238

(mm)



IM-270

(mm)

