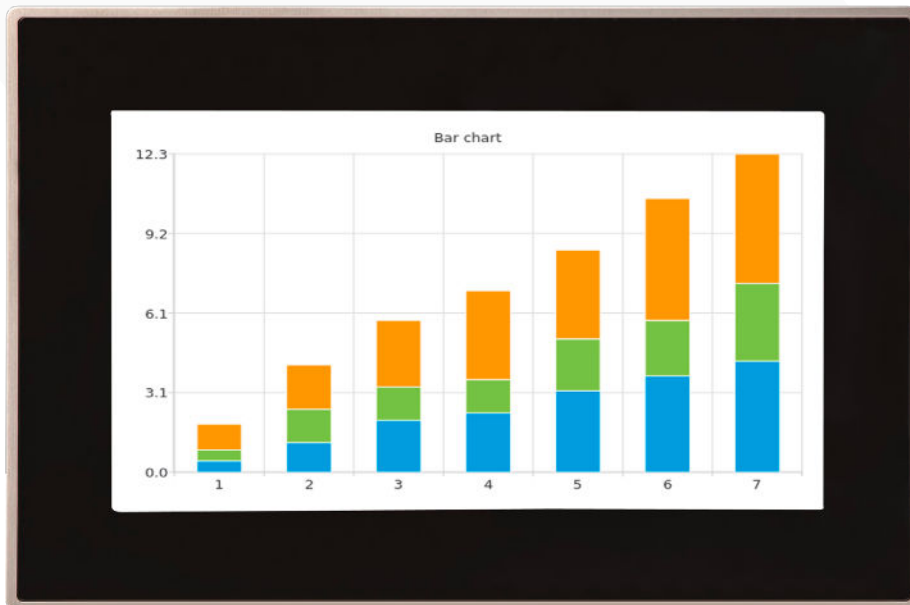


DL 7" i.MX8M Mini Display-Line



Touch-Panel DL 7" i.MX8M Mini

- PCAP Multitouch
- Aluminium front
- Embedded Linux Operating system

HUMAN-MACHINE-INTERFACE		STANDARD	OPTIONS
FUNCTION	FRONT DISPLAY TOUCH	Aluminium front frame 7" IPS, 1024 x 600 Pixel 450 cd/m ² PCAP Multitouch	
OTHER	POWER SUPPLY POWER CONSUMPTION RTC BUFFERING DEBUG DIMENSIONS (W x H x D) TEMPERATURE RANGE PROTECTION CLASS	24V DC ±20 % Linux running <6 W CR1220 1x Console Alu front: 200.1 x 131.9 x 46.5 mm 0 °C...+55 °C Front IP65, back IP20	
CPU-UNIT	CPU	NXP i.MX8M Mini 4x Arm® Cortex®-A53 @1,6 GHz, 1x Arm® Cortex®-M4 @400 MHz	
MEMORY	LPDDR4 NOR-FLASH eMMC SD CARD nv MEMORY	4 GByte 2 MByte 32 GByte 1x microSD Carten Slot 8 kB (64 kb) EERAM	1 GByte, 2 GByte 4 GByte up to 64 GByte
COMMUNICATION	ETHERNET USB SERIAL CAN DIO	1x Gbit/s, 1x 10/100 Mbits/s 2x 2.0 Host, 1x 2.0 OTG 1x RS232, 1x RS485 1x CAN 2.0 B 4x DIO (24V/up to 800mA)	
SOFTWARE	BOOTLOADER OPERATING SYSTEM RTC	U-Boot Embedded Linux (Yocto Distribution) 5ppm accuracy	

Product Highlights

The modern and sophisticated 7" touch display DL i.MX8M Mini can be deployed in a wide range of settings, e.g. industrial plants and machinery. In engineering, for instance, it can serve as a decentralized operating and display unit, in "smart building" management it can be used to communicate with the lighting, heating and shading systems. The device can also simplify and optimize processes in other fields of application such as logistics.

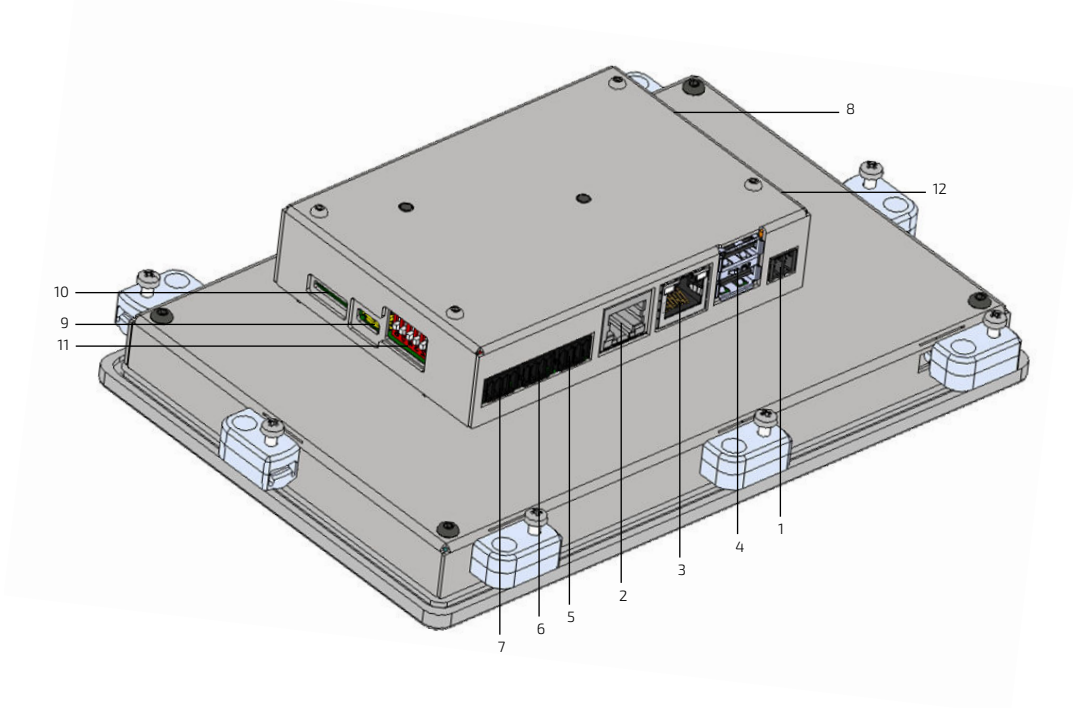
The low-cost, 7" format Display Line panel features outstanding optical capabilities and a wide viewing angle. It is designed for installation in switch cabinets and control consoles and almost any other mounting option. The i.MX8M Mini processor board is the perfect solution for demanding 3D graphics applications and computing-intensive automation tasks. Without additional license costs, the unit also includes an Embedded Linux operating system as a basis for a wide variety of applications and human-machine interfaces.

Client Benefits

- High-quality design
- Long-term availability
- Flexible assembly
- Compact design
- Excellent price/performance ratio

Applications

- IoT/Industry 4.0
- Communication
- High-end Touch-Display
- Mechanical engineering
- Building automation



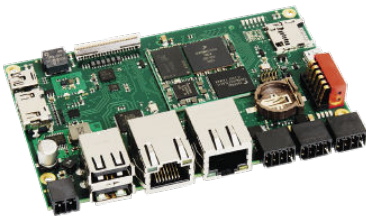
1	DC Power Connector (2-pin Phoenix Contact)
2	Gbit/s LAN1 RJ-45 Connector
3	10/100 Mbit/s LAN2 RJ-45 Connector
4	USB 2.0 Port 0 / 1 Connector (upper/lower)
5	RS232 Connector
6	RS485/CAN Connector
7	DIO Connector
8	Debug UART Connector
9	USB OTG Connector
10	microSD Card Slot
11	Switch CAN Address
12	Functional Earth Connector

PRODUCT NAME	ARTICLE NO.	OPTIONS
DL 7" i.MX8M Mini 1GB/8GB	50099 072	-
DL 7" I.MX8M MINI 4GB/32GB	tbd	-



Products Board-Line

PRODUCT NAME	ARTICLE NO.	OPTIONS
BL i.MX8M MINI QUAD 1 GB/8 GB	40099 187	-
BL i.MX8M MINI QUAD 2 GB/8 GB	On request	-
BL i.MX8M MINI QUAD 4 GB/32 GB	40099 220	-
AC CONNECTOR SET BL/AL/DL	30099 003	Order in addition to BL i.MX8M Mini Quad
USB-UART ADAPTER	40099 101	-



Products Automation-Line

PRODUCT NAME	ARTICLE NO.	OPTIONS
AL i.MX8M MINI QUAD 1 GB/8 GB	50099 067	-
AL i.MX8M MINI QUAD 2 GB/8 GB	On request	-
AL i.MX8M MINI QUAD 4 GB/32 GB	50099 068	-
AC CONNECTOR SET BL/AL/DL	30099 003	Order in addition to AL i.MX8M Mini Quad
USB-UART ADAPTER	40099 101	-





About Kontron

Kontron is a global leader in IoT/Embedded Computing Technology (ECT) and offers individual solutions in the areas of Internet of Things (IoT) and Industry 4.0 through a combined portfolio of hardware, software and services. With its standard and customized products based on highly reliable state-of-the-art technologies, Kontron provides secure and innovative applications for a wide variety of industries. As a result, customers benefit from accelerated time-to-market, lower total cost of ownership, extended product lifecycles and the best fully integrated applications.

For more information, please visit: www.kontron.com

About Kontron Electronics

Kontron Electronics GmbH is a full-service provider in the field of electronics, development and manufacturing services. Our business portfolio includes proprietary and client-specific products, development and design services for complex electronics components, modules and systems, as well as production and assembly services for entire devices. The company is part of the technology corporation Kontron AG.

For more information please visit: www.kontron-electronics.com

Your Contact

Kontron Electronics GmbH

Max-Planck-Straße 6
72636 Frickenhausen, Germany
Tel.: +49 7022 4057-0
info@kontron-electronics.de

www.kontron-electronics.com

Global Headquarters

Kontron Europe GmbH

Gutenbergstraße 2
85737 Ismaning, Germany
Tel.: +49 821 4086-0
info@kontron.com

www.kontron.com

